



UVT-LED-PW

QUICK START GUIDE



THANK YOU FOR CHOOSING THIS UVT-LED-PW UV-TRANSMITTANCE SENSOR.

For over forty years, Sensorex has been the preeminent supplier of leading edge technology and innovative products to measure and monitor the quality of water.

Today, we remain focused on the continual advancement of water quality monitoring products and technology.

The UVT-LED is the latest Sensorex innovation and our first optical-based measurement system designed specifically for simple, reliable UV-transmittance monitoring.



UVT-LED-PW

STEP 1 – UNPACKING THE UVT-LED

Make sure you have all the proper components. Refer to the packing list for the components you received based upon your order.



STEP 2 – CALIBRATING THE UNIT

Insert the UVT-LED-PW into de-ionized water for initial calibration. Make sure it is inserted to level above the measurement area as shown.

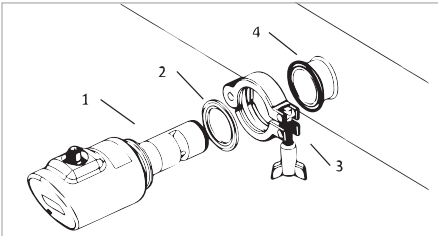
Short press the Read/Cal button to take a reference measurement. The reference measurement will show on the LCD display in approximately 10 seconds.

Press and hold the Read/Cal button for more than 3 seconds until the LCD display backlight begins flashing blue.

Once the LCD display reads measurement greater than 99.9%, the calibration procedure is complete.

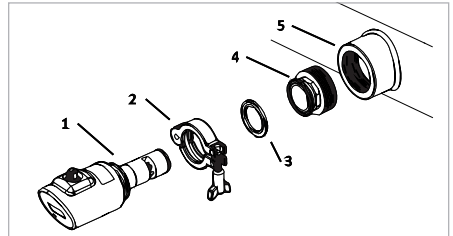
STEP 3 – INSTALLING THE UVT-LED

Once calibrated, the UVT-LED is ready to be installed in the process. There are several options for installation, including in-line and bypass, which are recommended by Sensorex.



A) Weld on stainless steel sanitary flange adapter (UVT0009) on to pipe

Weld sanitary flange (4) to pipe then place gasket (2) into the top groove of the sanitary flange. Place the measurement area of the UVT-LED (1) into the sanitary flange, and clamp in place using the tri-clamp fitting (3). Tighten the wing nut of the tri-clamp fitting to ensure no leaking occurs.



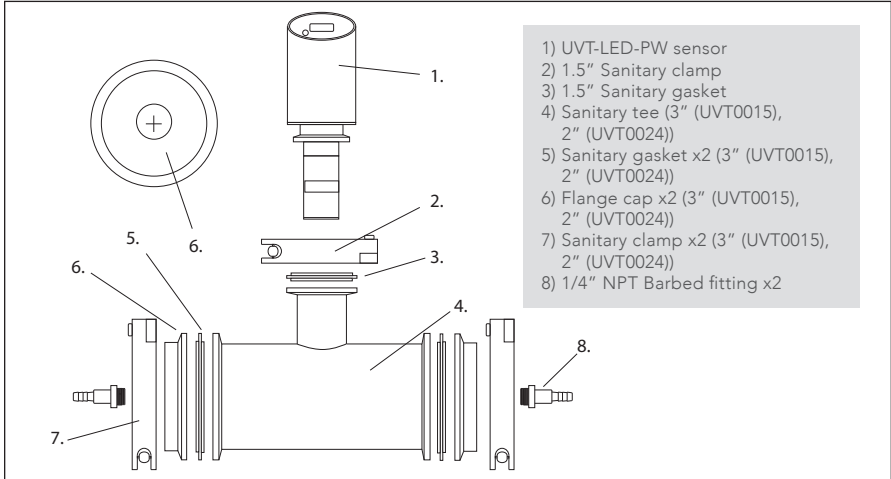
B) 2" NPT threaded adapter (UVT008 & UVT0021)

Apply sealing tape to the 2" NPT threads (4) of the fitting to ensure connection does not leak. Then thread into 2" NPT female thread (5). Place the gasket (3) into the groove of the threaded adapter (4). Place the measurement area of the UVT-LED (1) into the 2" fitting, and clamp in place using the tri-clamp fitting (2). Tighten the wing nut of the tri-clamp fitting to ensure no leaking occurs.

STEP 3 – INSTALLING THE UVT-LED (CONTINUED)

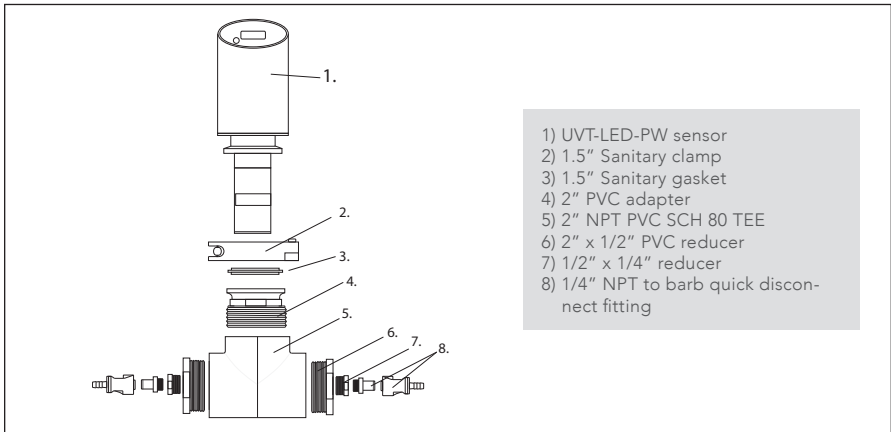
C) 3" Sanitary tee kit (UVT0015) and 2" Sanitary tee kit (UVT0024)

Place the flange caps on each end of the sanitary tee using the sanitary gaskets, and secure using the sanitary clamps. Place the 1.5" sanitary gasket into the top groove of the sanitary tee. Place the measurement area of the UVT-LED into the sanitary flange, and clamp in place using the tri-clamp fitting. Tighten the wing nut of the tri-clamp fitting to ensure no leaking occurs. Install a 3/4" compression fitting and tubing into each of the flange caps.



D) 2" PVC Installation Kit (UVT0023)

Install 2" x 1/2" PVC reducer (#6) 2 each onto 2" NPT PVC SCH80 threaded tee (#5). Install 1/2" x 1/4" PVC reducer x2 (#7) onto #6. Install Quick disconnect fitting (#8), 2 each onto #7. Connect 1/4" tubing to #8. Install 2" NPT x 1.5" sanitary flange adapter (#4) onto top of #5. Insert 1.5" sanitary gasket into groove on top of #4. Install UVT-LED-PW sensor (#1) into #4 with #3. Attach provided 1.5" sanitary clamp (#2) around flange of #4 and flange of #1. Tighten clamp to seal sensor using wing nut on #2.



Parts covered by this product data sheet include: UVT-LED-PW
Document Number 480433 / Rev: 2016-11-18
© 2016 Sensorex Corporation

DESIGNED AND ASSEMBLED IN CALIFORNIA, USA

11751 MARKON DRIVE • GARDEN GROVE, CA 92841 • 714.895.4344 • WWW.SENSOREX.COM